

# auto electrical parts

## Technical Information Sheet

### Part No. 0-647-10

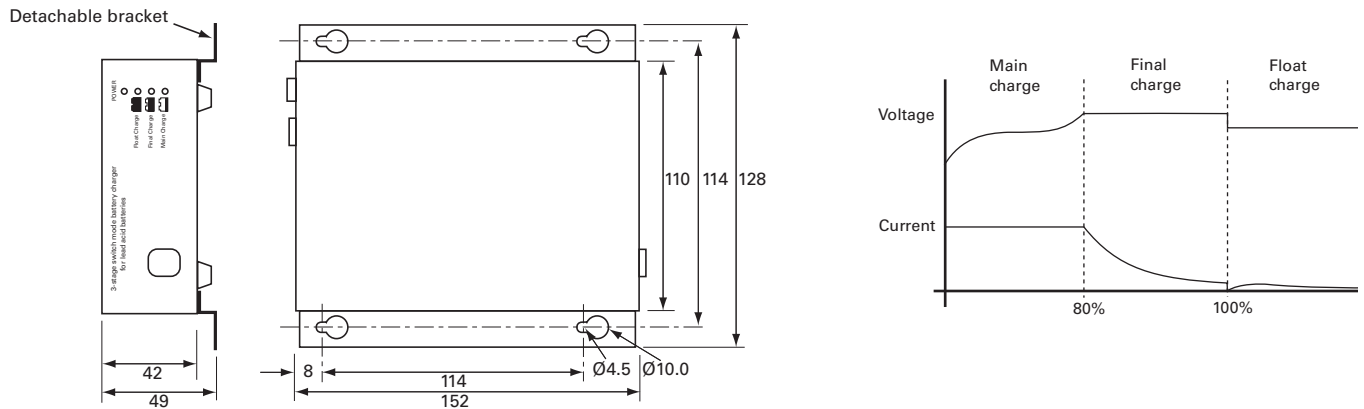
Automatic automotive battery charger, 12 volt 10 amp, for all lead/acid batteries, including sealed for life, gel and maintenance free. Features include: micro chip controlled three stage charging, allowing the charger to be left permanently connected to maintain a fully-charged status without harming the battery. On/off switch, detachable wall-mount brackets, supplied with crocodile clips and leads.



### Additional information

If the battery being charged is below 8 volts the charger will not detect the battery and will not start. Can use 0-647-96/97/98/99 charging lead sets.

### Technical Drawing (not to scale)



### Specification

Type	Automatic charger for lead-acid batteries
Charge control	3 stage charging (Main 10 amp, Final 14.7 volt, Float 13.8 volt)
Input	230 volt ac 50Hz
Output	10 amp 12 volt dc
Battery type	12 volt wet cell, Lead/calcium, Maintenance Free, Sealed, Deep cycle, AGM and GEL
Display	4 single LED indicators (Power on, Main, Final and Float Charge)
Lead length	Charging lead 1.4m, mains lead 1m
Electrical protection	Reverse connection and short circuit
Protection	Indoor use only
Temperature range	0°C to 40°C
Weight	930g
Dimensions	l 110 x w 152 x h 42mm (exc. bracket or feet)
Compliance	CE, RoHS, WEEE

The information contained in this document is correct to the best of our knowledge at the time of printing. However, specifications may change at any time without notice.